



CLUX-H2SDIA

HDMI to 3G SDI Converter



Operation Manual

DISCLAIMERS

The information in this manual has been carefully checked and is believed to be accurate. Cypress Technology assumes no responsibility for any infringements of patents or other rights of third parties which may result from its use.

Cypress Technology assumes no responsibility for any inaccuracies that may be contained in this document. Cypress also makes no commitment to update or to keep current the information contained in this document.

Cypress Technology reserves the right to make improvements to this document and/or product at any time and without notice.

COPYRIGHT NOTICE

No part of this document may be reproduced, transmitted, transcribed, stored in a retrieval system, or any of its part translated into any language or computer file, in any form or by any means—electronic, mechanical, magnetic, optical, chemical, manual, or otherwise—without express written permission and consent from Cypress Technology.

© Copyright 2011 by Cypress Technology.

All Rights Reserved.

Version 1.0 September 2011

TRADEMARK ACKNOWLEDGMENTS

All products or service names mentioned in this document may be trademarks of the companies with which they are associated.





SAFETY PRECAUTIONS

Please read all instructions before attempting to unpack, install or operate this equipment and before connecting the power supply.

Please keep the following in mind as you unpack and install this equipment:

- Always follow basic safety precautions to reduce the risk of fire, electrical shock and injury to persons.
- To prevent fire or shock hazard, do not expose the unit to rain, moisture or install this product near water.
- Never spill liquid of any kind on or into this product.
- Never push an object of any kind into this product through any openings or empty slots in the unit, as you may damage parts inside the unit.
- Do not attach the power supply cabling to building surfaces.
- Use only the supplied power supply unit (PSU). Do not use the PSU if it is damaged.
- Do not allow anything to rest on the power cabling or allow any weight to be placed upon it or any person walk on it.
- To protect the unit from overheating, do not block any vents or openings in the unit housing that provide ventilation and allow for sufficient space for air to circulate around the unit.

REVISION HISTORY

VERSION NO.	DATE DD/MM/YYYY	SUMMARY OF CHANGE
VR0	09/30/11	Preliminary release
VR1	12/27/11	Section 7. Typo
VS1	30/01/12	Updated format/diagrams



CONTENTS

- 1. Introduction.....1**
- 2. Applications.....1**
- 3. Package Contents1**
- 4. System Requirements.....1**
- 5. Features2**
- 6. Operation Controls and Functions.....3**
 - 6.1 Front Panel 3
 - 6.2 Rear Panel..... 4
- 7. Connection and Installation.....5**
- 8. Specifications6**
- 9. Acronyms7**





1. INTRODUCTION

The HDMI to SDI converter allows HDMI signals to be converted and shown on SDI displays. It utilises high bit-rate processing at 2.970 Gbps which ensures signal transmission without loss of quality. In addition, the external audio input allows the user to insert the sound from a different audio source instead of the HDMI audio on the SDI output.

2. APPLICATIONS

- Smart Home/Luxury House
- Smart Building or any Smart AV Installation System
- HDMI signal conversion to 3G-SDI display

3. PACKAGE CONTENTS

- HDMI to 3G-SDI Converter
- 5V/2.6A DC power adaptor
- Operation Manual

4. SYSTEM REQUIREMENTS

Input HDMI source equipment with HDMI cable and output SDI monitor with SDI cable.

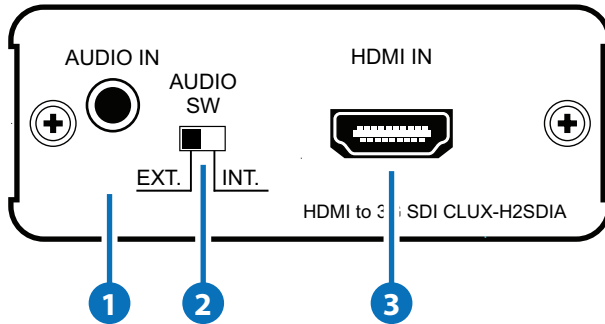
5. FEATURES

- Operation at 2.970Gbps, 2.970/1.001 Gbps, 1.485Gbps, 1.485/1.001 Gbps and 270Mbps
- Integrated audio de-embedding for a maximum of 8 channels of 48kHz audio
- Automatic video mode detection (3G/SD/HD)
- Conversion from HDMI to SD/HD/3G signal
- Connect using the SDI to HDMI converter to extend your signal over long distances
- Supports input signal transmission distances of up to 300m for SD signals, 200m for HD signals and 100m for 3G signals

NOTE: Cable tested with Belden 1694A. Operating distance may vary if used with another type of cable.

6. OPERATION CONTROLS AND FUNCTIONS

6.1 Front Panel



1 AUDIO IN

Connect to the audio source equipment (such as DVD player) with 3.5mm phone jack for audio signal input.

2 AUDIO SW

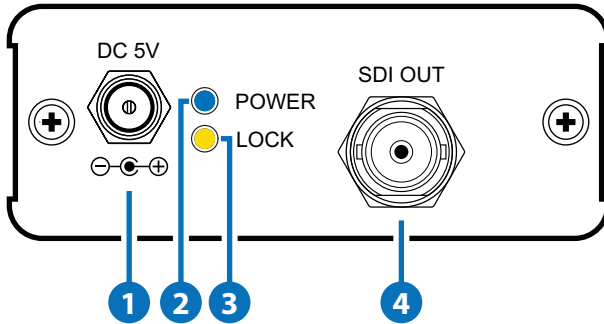
This switch allows the user to choose between audio sources. Switch between the external (EXT) audio input (3.5mm phone jack) or the internal (INT) audio from the HDMI input.

3 HDMI IN

Connect this port to the HDMI input source such as HD camera or PC with a HDMI cable.

Note: When the HDMI input source signal has HDCP content the SDI output will not display any image.

6.2 Rear Panel



1 DC 5V

Plug the 5V DC power supply into the unit and connect the adaptor to AC wall outlet.

2 POWER LED

This blue LED will illuminate when the device is connected to the power supply.

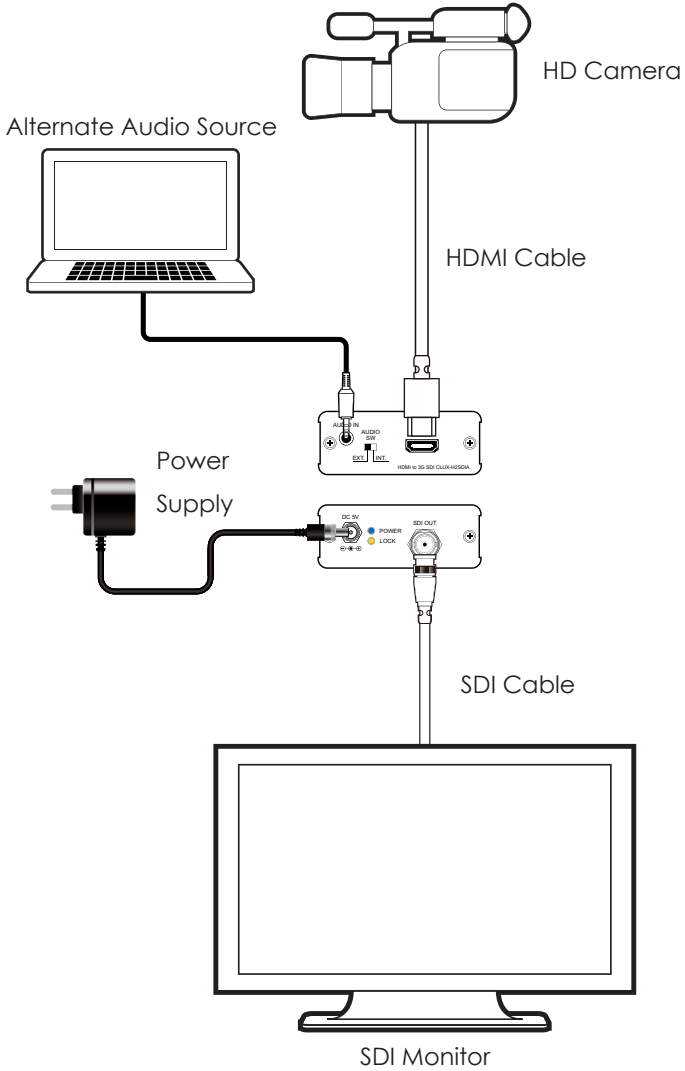
3 LOCK LED

This yellow LED will illuminate when both input HDMI source and SDI output display has successfully sent and received the signal.

4 SDI OUT

Connect to the SDI output display.

7. CONNECTION AND INSTALLATION



8. SPECIFICATIONS

Operation Data	2.970 Gbps, 2.970/1.001 Gbps, 1.485 Gbps, 1.485/1.001 Gbps, and 270 Mbps
Frequency Bandwidth	225 MHz/link (HDMI 1.3)
Input Port	1×HDMI, 1×3.5mm Phone Jack
OUTPUT PORT	1×BNC (SD-SDI/HD-SDI/3G-SDI)
SDI Video Supports	SD-SDI: 480i, 576i, HD-SDI: 720p@50/60, 1080i@50/60, 1080p@23.98/24/25/29.97/30 3G-SDI: 1080p@50/60
HDMI Cable Distance	10m
Audio Input Support	Internal: PCM 2/5.1/7.1CH External: Analog L/R
ESD Protection	Human body model: ±8kV (Air-gap discharge) ±4kV (Contact discharge)
Power Supply	5V/2.6A DC (US/EU standards, CE/FCC/UL certified)
SDI Cable Distance	3G up to 100m (BELDEN 1694A Cable) HD up to 200m (BELDEN 1694A Cable) SD up to 300m (BELDEN 1694A Cable)
Dimensions	78.5mm (W) × 124mm (D) × 30mm (H)
Weight	198g
Chassis Material	Aluminum
Silkscreen Color	Silver
Power Consumption	5W
Operating Temperature	0 °C~40 °C/32 °F~104 °F
Storage Temperature	-20°C~60°C/-4 °F~140 °F
Relative Humidity	20~90% RH (non-condensing)



9. ACRONYMS

ACRONYM	COMPLETE TERM
3G	Bandwidth 2.97 Gbps≈3G
SDI	Serial Digital Interface



CYPRESS TECHNOLOGY CO., LTD

Home page: <http://www.cypress.com.tw>