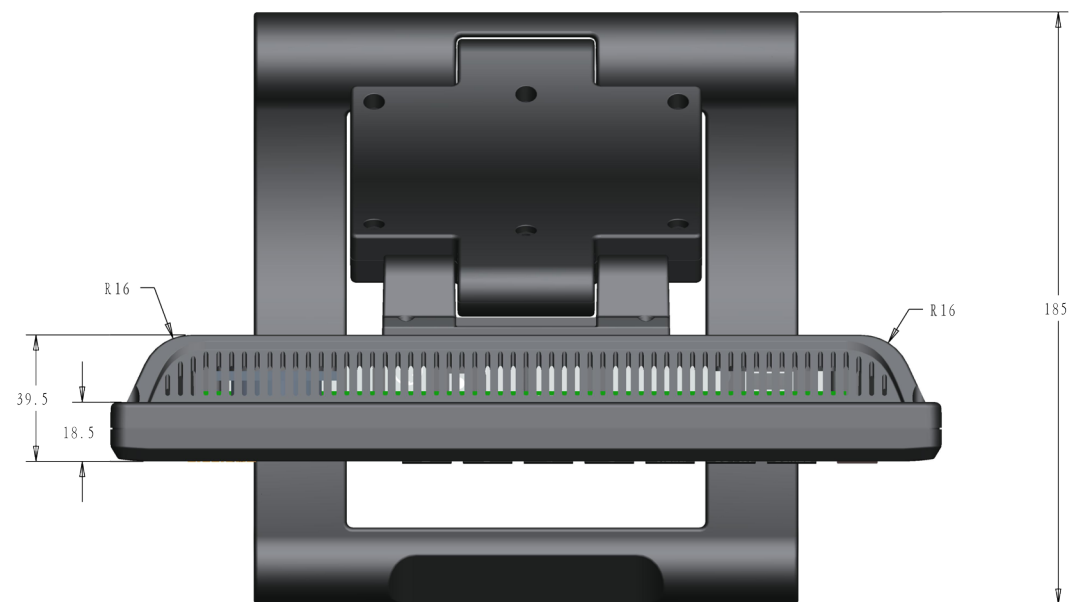
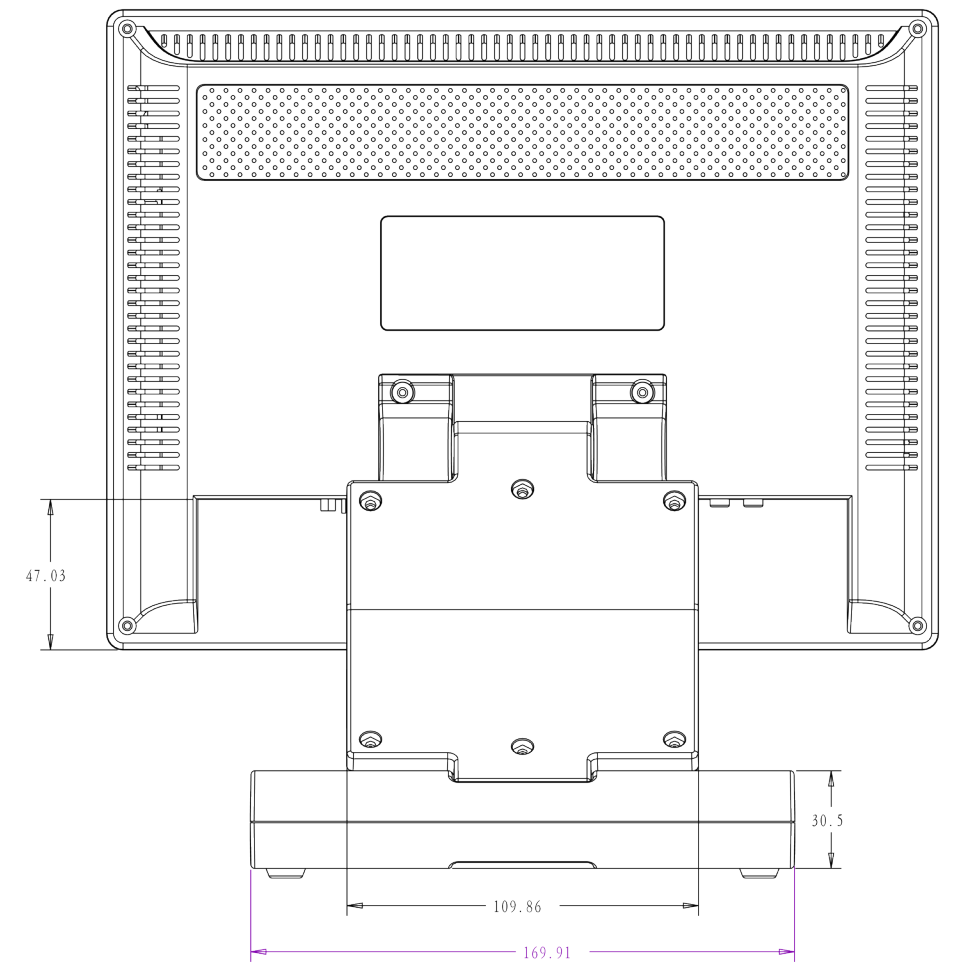
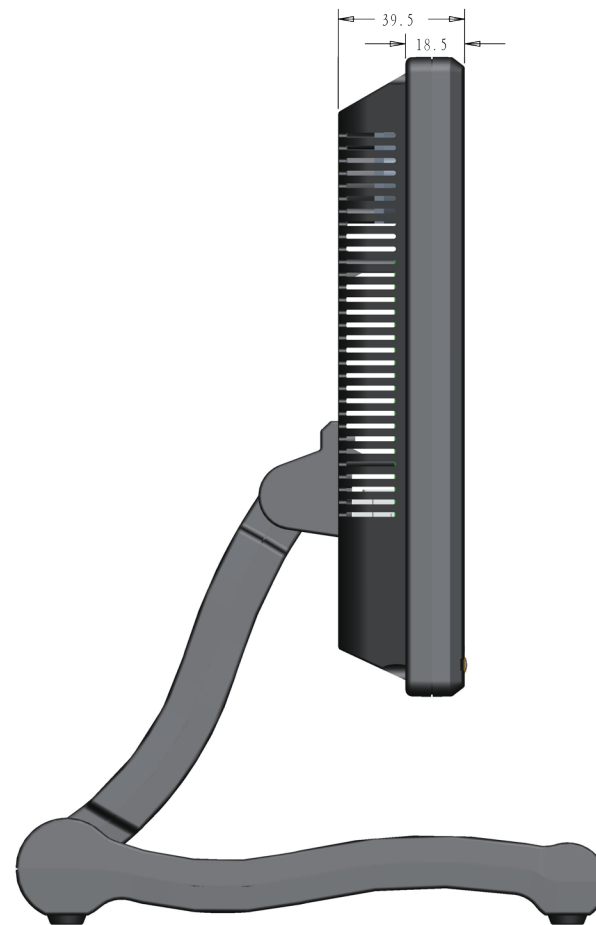





比例.000



 <a href="http://www.ad-techno.com/">http://www.ad-techno.com/</a>			
SCALE	-	REV.	A
UNIT	MM	DWG NO.	
SHEET	1/1	DATE	
TITLE			
MODEL NO.			
CL1046N / CL1046NT			