

DVI SPLITTER

The CDVI-2H is a 1-input 2-output digital DVI splitter based on Panellink digital technology.

CDVI-2H

Operation Manual



Applications

- It accepts DVI signal from a computer or video equipment and splits up to two, identical and buffered outputs. Each of the output can run up to 15 meters using standard DVI cable.
- It also supports a wide range of input resolution (25~165 MHz) from VGA to UXGA.
- Can be cascaded up to 3 tiers.

The package includes

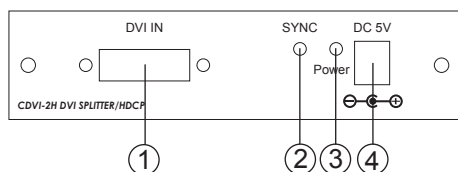
- 1x CDVI-2H DVI Splitter- User Manual
- 5 VDC power supply with universal plugs.

Features

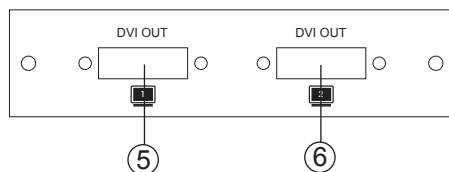
- HDCP compliant.
- Universal EDID built-in
- Supports DVI-D (29-pin) standard connectors.
- DVI DDC (Display Data Channel) link between each output and display is independent .
- LED indicators.
- Supports high resolution input:
PC: VGA, SVGA, XGA, SXGA and UXGA, &
HDTV: 480p, 576p, 720p, 1080i and 1080p@ 60Hz

Connection and Installation

Front Panel



Rear Panel



1. DVI input port: Connects to the DVI output of your source equipment.
2. Sync LED: Sync led will light up when source signal is connected.
3. LED : Power LED will light up when power plug on.
4. Power Jack.
5. DVI output port 1: Connects to the DVI input of your display 1.
6. DVI output port 2: Connects to the DVI input of your display 2.

Specifications

Input connector: 1 input (DVI Female)

Output connector: 2 outputs (DVI Female)

Frequency bandwidth: 1.65Gbps (Single link)

Power consumption: 6W Max

Operating temperature rang: 5 degree to 40 degree C

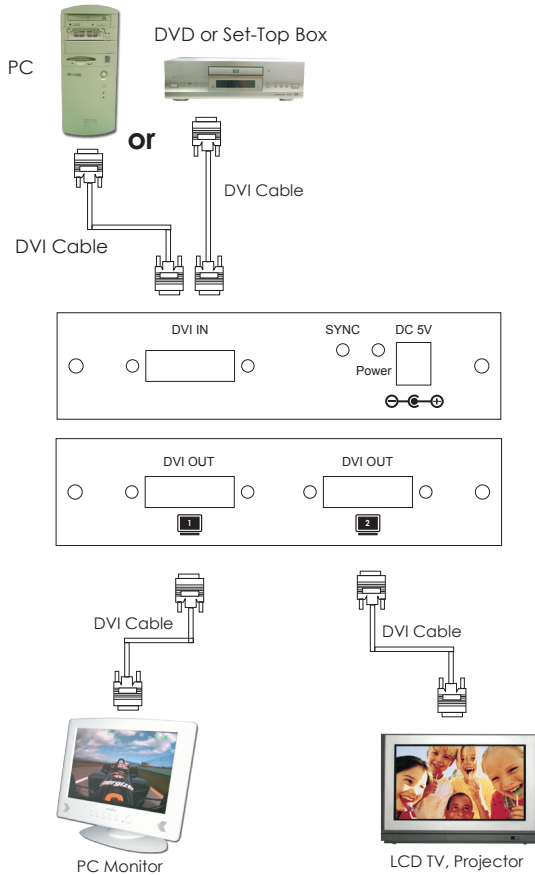
Operating humidity range: 30 to 80% RH

Power supply: 5VDC power supply with universal plugs

Dimensions: 102(W) x125(D) x 30(H)mm

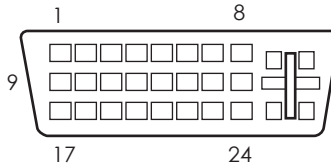
Weight: 280g

Connection and Installation



DVI-D Pin Configuration

DVI-Digital (DVI-D): Supports display-only connections between the host computer and display. This interface is designed for a 12 or 24-pin connection to enable single or dual-link mode activation.



DVI-D
Receptacle Connector

Digital-Only Connector Pin Assignments					
Pin	Signal Assignment	Pin	Signal Assignment	Pin	Signal Assignment
1	T.M.D.S Data2-	9	T.M.D.S. Data1-	17	T.M.D.S. Data0-
2	T.M.D.S. Data2+	10	T.M.D.S. Data1+	18	T.M.D.S. Data0+
3	T.M.D.S. Data2/4 Shield	11	T.M.D.S. Data1/3 Shield	19	T.M.D.S. Data0/5 Shield
4	T.M.D.S. Data4-	12	T.M.D.S. Data3-	20	T.M.D.S. Data5-
5	T.M.D.S. Data4+	13	T.M.D.S. Data3+	21	T.M.D.S. Data5+
6	DDC Clock	14	+5V Power	22	T.M.D.S. Clock Shield
7	DDC Data	15	Ground (for +5)	23	T.M.D.S. Clock+
8	No Connect	16	Hot Plug Detect	24	T.M.D.S. Clock-