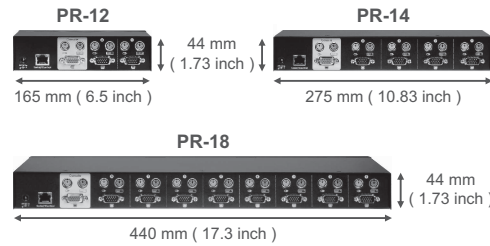
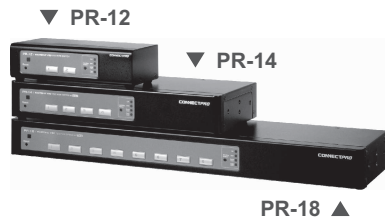
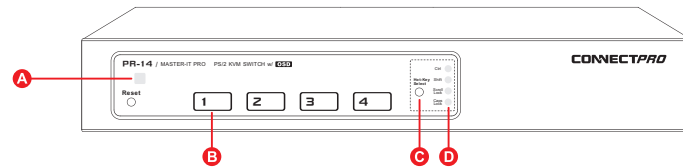


Installation Guide

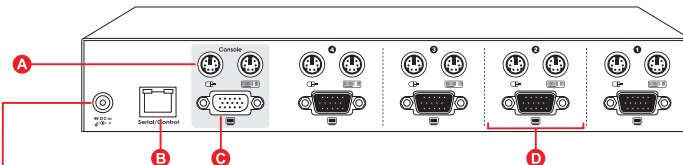
Product View



Front & Rear View



- A IR Remote Control Sensor
 - B Push-button selection
 - C Hot-key selection
 - D Hot-key indicator
- (All LEDs are not lit means hot-key is disabled)



Power input
DC 9V 500 mA

Master-IT PRO switches are designed for effectively saving electricity energy. External power input is not required if it is not cascaded to second layer KVM switches.

- A PS/2 console connections for mouse and keyboard
- B Serial port for extra control and firmware upgrade (CRJ45-DB9F-5 serial cable)
- C VGA connection for LCD or CRT monitor
- D KVM ports for connecting systems

Connect Cables



1 Provide power from external power source if necessary

2 Connect console
1. Monitor
2. Mouse
3. Keyboard

3 Connect KVM cable from computer system to KVM ports

Port Selection



Press button to select port for control

Type hot-key to select port for control

Use IR remote controller for selecting port (optional)

Ordering Information

Model	Description
PR-12	2-port PS/2 VGA KVM Switch
PR-14	4-port PS/2 VGA KVM Switch with OSD control (PR-14-S for w/o OSD)
PR-18	8-port PS/2 VGA KVM Switch with OSD control

Optional part / accessory

Cables

SPS-06P	6-ft PS/2 KVM cable
SPS-10P	10-ft PS/2 KVM cable
SPS-15P	15-ft PS/2 KVM cable, special length of KVM cables are available (25-ft, 50-ft, 75-ft and 100-ft)
CRJ45-DB9F-5	5-ft serial/control and firmware upgrade cable (RJ-45 to DB9 female)

Power Adaptor

PAIEC-DC9V05A	Switching DC 9V (500 mA) - IEC / AV 90/264V
PCUS-06	6-ft, IEC C13 power cord for US
* Power cords for other areas and different lengths are available	

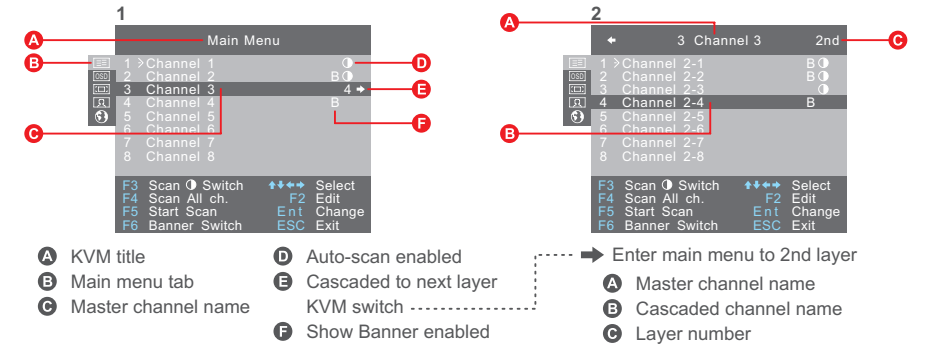
IR Remote Controller

RC-01	IR remote controller for 2-port & 4-port KVM Switch
RC-04	IR remote controller for 8-port KVM Switch

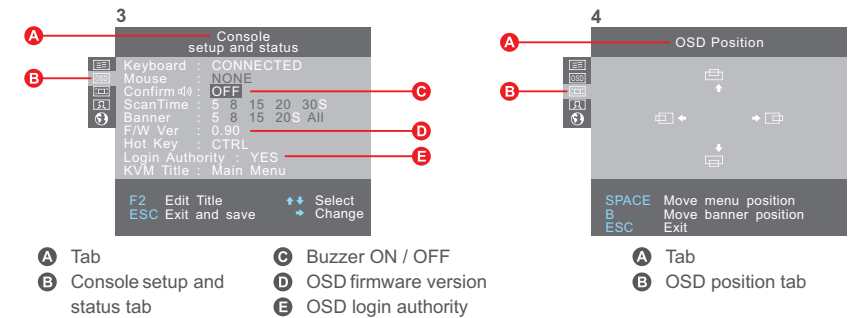
Rack Mounting Kit

RMK-1901	19" rack mounting bracket set for 4-port KVM Switch
RMK-1902	19" rack mounting bracket set for 8-port KVM Switch
RBK-19	19" rack mounting cable support bar

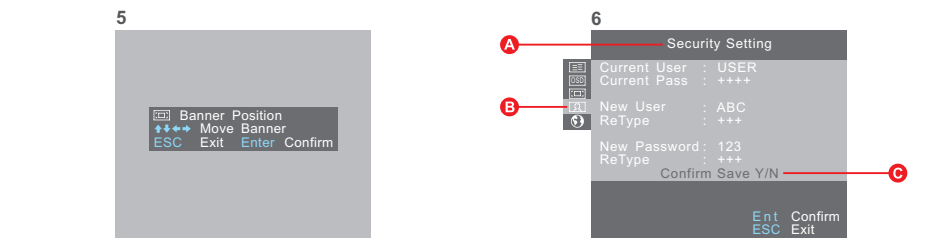
OSD (On-Screen-Display) Operation for PR-14 & PR-18



- A KVM title
 - B Main menu tab
 - C Master channel name
 - D Auto-scan enabled
 - E Cascaded to next layer KVM switch
 - F Show Banner enabled
- Enter main menu to 2nd layer
- A Master channel name
 - B Cascaded channel name
 - C Layer number

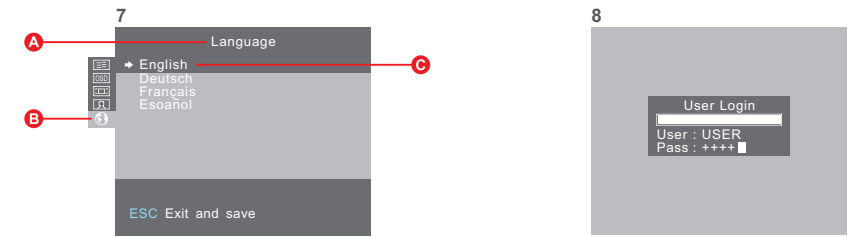


- A Tab
- B Console setup and status tab
- C Buzzer ON / OFF
- D OSD firmware version
- E OSD login authority
- A Tab
- B OSD position tab



Moving the arrow keys around and enter to confirm the banner displaying position

- A Tab
- B Security setting tab
- C Confirm change



- A Tab
- B Language tab
- C Language selected

When OSD Login Authority set to "YES", User Login interface will display

Special note:
Default User : USER Default Password : 1234

Features & Benefits

- Compatible with Windows (Windows 3.1, 98, 2000, XP, Vista, 7), Linux and Mac OS
- Front panel push-button for easy computer selection
- Backlit push-button with multi-color LED for easy monitoring and selection
- Built-in IR remote receiver and selectable Hot-key control
- Easy-to-use built-in OSD control menu
- Buzzer sound for computer switching confirmation
- Plug-and-Play system configuration
- No drivers needed for keyboard and mouse operation
- RS-232 control and firmware upgradable
- 400 MHz bandwidth for higher resolution display
- Built-in All-time Full DDC (Active - DDC to all connected systems)
- 3-year Warranty

Hot-Key Command

1. Hot-key selection

- Via front panel Hot-key select button
- Via Hot-key control
- Default Hot-key = **Ctrl**



Hot-key + Hot-key + **H** + New Hot-key

2. Hot-key and functions

Hot-key + Hot-key + **Space** → OSD Menu

Hot-key + Hot-key + **1** → Switch to Port #1

Hot-key + Hot-key + **2** → Switch to Port #2



Hot-key + Hot-key + **8** → Switch to Port #8

Hot-key + Hot-key + **B** → Turn switching confirmation buzzer sound on/off (for PR-12 / PR-14-S / PR-14)

Hot-key + Hot-key + **Z** → Turn switching confirmation buzzer sound on/off (for PR-18)

- Default = buzzer sound off

Hot-key + Hot-key + **S** **N** → Turn on Auto Channel Scan

- **S** = last setting interval , default = 5 seconds
- **N** (**1** ~ **5**) = 5, 8, 15, 20, 30 seconds
- Turn off Auto Channel Scan by pressing any key

Specification

		PR-12	PR-14-S	PR-14	PR-18
Functional					
Computer port number		2	4	4	8
Cascading layer		2 layers (up to 4 systems)	2 layers (up to 16 systems)	2 layers (up to 16 systems)	2 layers (up to 64 systems)
On-Screen Display		N / A	N / A	Yes	Yes
Panel button control		2	4	4	8
Button LED color indication		PC On-Line - Green , Selected - Red , Both - Orange			
IR remote control		Yes (Built-in receiver, controller optional)			
Hot plug-and-play		Yes			
Hot key control		Yes			
Selectable scan interval		5, 8, 15, 20, 30 sec (Hot key)			
Beep sound		On / Off (Hot key selectable)			
Cable length		30M (100ft) at Console ; 30M (100ft) at PC			
VGA resolution		Max 1920 x 1440 , 400 MHz , DDC1 / DDC2B			
System connectors	Keyboard	PS/2 (Mini DIN6) x 2	PS/2 (Mini DIN6) x 4	PS/2 (Mini DIN6) x 4	PS/2 (Mini DIN6) x 8
	Mouse	PS/2 (Mini DIN6) x 2	PS/2 (Mini DIN6) x 4	PS/2 (Mini DIN6) x 4	PS/2 (Mini DIN6) x 8
	Monitor	HDB-15 Male x 2	HDB-15 Male x 4	HDB-15 Male x 4	HDB-15 Male x 8
Console connectors	Keyboard	PS/2 (Mini DIN6) x 1			
	Mouse	PS/2 (Mini DIN6) x 1			
	Monitor	HDB-15 Female x 1			
Mechanical					
Height		44 mm (1.73 inch)	44 mm (1.73 inch)	44 mm (1.73 inch)	44 mm (1.73 inch)
Width		165 mm (6.5 inch)	275 mm (10.83 inch)	275 mm (10.83 inch)	440 mm (17.3 inch)
Depth		76 mm (2.99 inch)	131 mm (5.16 inch)	131 mm (5.16 inch)	178 mm (7.01 inch)
Weight		510 g (1.12 lb)	1130 g (2.49 lb)	1130 g (2.49 lb)	2300 g (5.06 lb)
Power					
Operating voltage		DC 9V (500 mA)			
Power frequency		50-60 Hz			
Power consumption		1 W	1.2 W	1.4 W	2.8 W
Certification					
FCC, CE					

Limited Warranty For ConnectPRO KVM Switches

ConnectPRO offers a 3-year limited warranty for all of its KVM Switches and KVM Switch modules. ConnectPRO stands behind its products assured that you're purchasing a proven technology with quality and reliability.



ConnectPRO - USA, Taiwan
www.connectpro.com

Corporate Office

20525 Paseo Del Prado Walnut, CA 91789, USA
Tel +1-909-444-9288 Fax +1-909-444-9289

Design Center and Operational Hubs

13F., No.120, Sec. 1, Sanmin Rd., Banciao Dist.,
New Taipei City 220, Taiwan, R.O.C.
Tel +886-2-8964-2700 Fax +886-2-8964-2977