

安裝說明書

Installation Manual

取り付けマニュアル

Manuel d'installation

Installationsanleitung

Manual da instalação

Manual de instalación

Instalacja ręczny

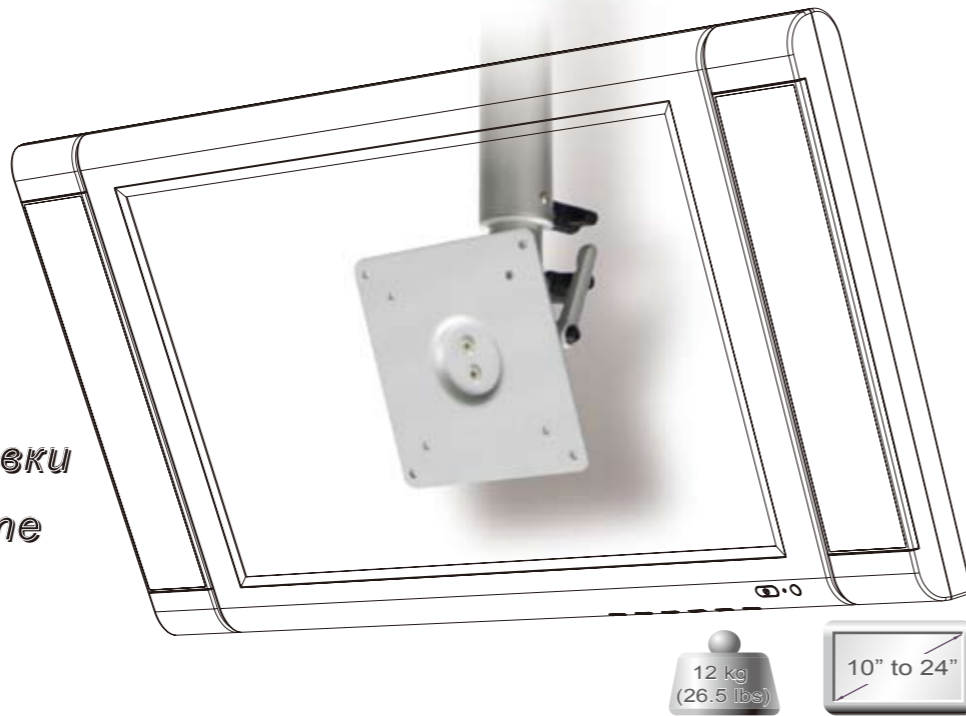
Руководство установки

Manuale di installazione

Installationsmanual

설치 매뉴얼

TV Ceiling Mount

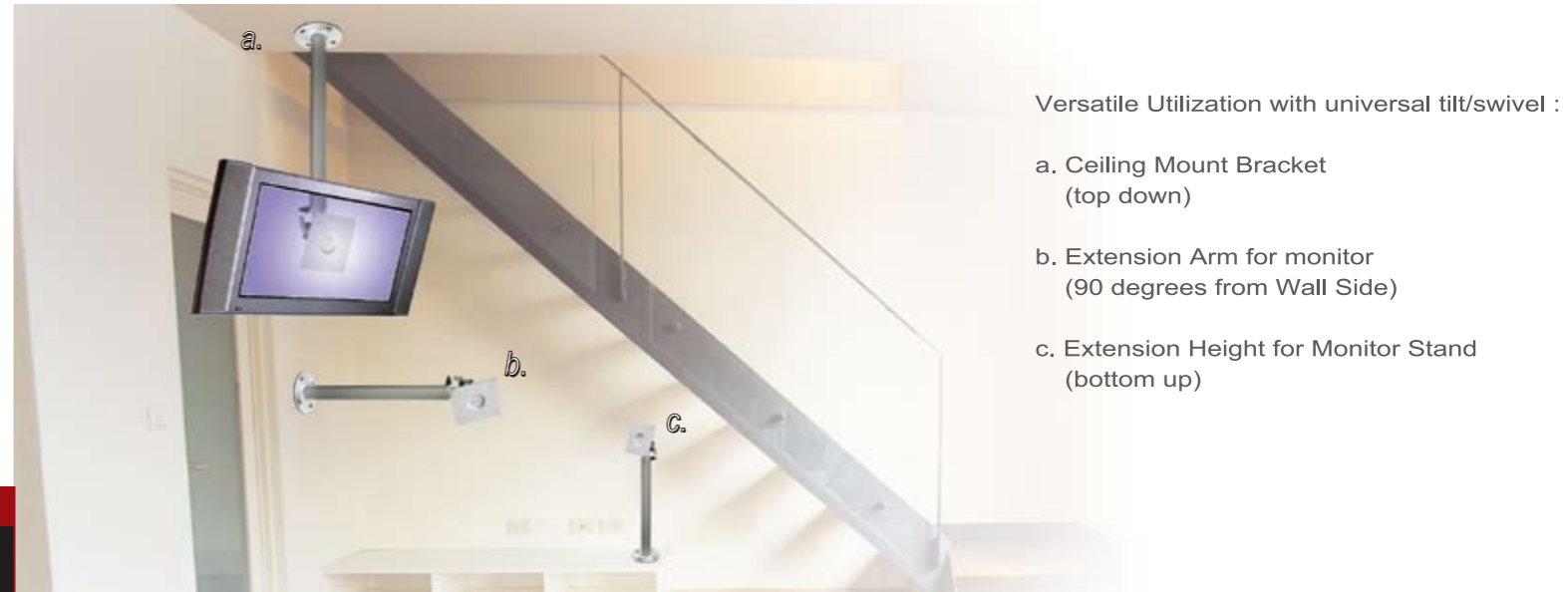


中文 安全警告

- 為確保安全，在安裝前，請詳細閱讀本安裝說明書並遵守內容，妥善保存本安裝說明書於安全的地方，以便日後參考。
- 因錯誤的安裝及操作方法所造成的設備毀損及人員傷害，本製造商將完全不承擔所衍生的相關法律責任。
- 本吊架之設計為容易安裝及拆卸，若因人為或天然災害，如地震、颶風...等，所造成之設備損毀及人員傷害，本製造商將完全不承擔所衍生的相關法律責任。
- 安裝投影機吊架需由專業人員執行安裝。
- 無論安裝或移除本產品，至少需由2人執行，以避免沉重的物品掉落造成人員傷害或物品損毀。
- 安裝前請先確認吊掛處周圍的環境：
 - 避免安裝在溫度或濕度過高及任何會接觸到水的地方。
 - 請勿安裝於空調設備的出入口附近及避免大量灰塵及油煙處。
 - 只能安裝於水平的天花板，避免傾斜的牆面。
 - 請勿安裝於震動及撞擊處。
- 安裝時請於投影機周圍預留足夠的空間，以確保空氣的流通。
- 為了安全及防止意外發生，安裝前，需檢查天花板的結構及選擇耐久性高的適當位置。
- 天花板需能支撐投影機及吊架總重量4倍以上，且需確保有足夠的強度能承受地震及其它外力的振動。
- 請勿自行變更任何零件，勿使用已破損的零件，若有任何問題請與你的經銷商聯絡。
- 鎖緊螺絲(切勿以過大的扭力鎖付螺絲，以免造成螺絲斷裂或螺牙的損害)。
- 本吊架所能支撐投影機的重量12kg (26.5 lbs.) 以下。
- 本吊架除了懸掛投影機不可加掛其它物件並嚴禁人員懸掛在本吊架上。
- 日後移裝投影機吊架時，會在天花板留下螺絲孔及螺絲，且因長期使用會在天花板上留下污漬。
- 因天花板種類及吊架安裝施工品質非本製造商所能控制，本產品所保固範圍只限吊架本體，本產品保固期限5年。
- 若有任何條文爭議，請以英文說明書為主。

EN Caution

- To ensure safety, please read this manual carefully before installation and follow the instructions herein. Store this manual in a secure place for future reference.
- The manufacturer shall not be legally responsible for any equipment damage or personal injury caused by incorrect installation or operation other than that covered in this manual.
- The Mounting Bracket is designed for easy installation and removal. The manufacturer shall not be liable for damage to equipment or personnel injuries arising out of human factors or acts of God, such as earthquake or typhoon.
- It is recommended that the projector Mounting Bracket to be installed by professional installers.
- At least two persons are needed to install or remove the product to avoid hazard of falling objects.
- Please carefully inspect the area where the Mounting Bracket is to be installed:
 - Avoid places that are subject to high temperatures, humidity, or contact with water.
 - Do not install the product near air conditioning vents or areas with excess dust and fumes.
 - Only install on vertical walls and avoid slanted surfaces.
 - Do not install in places subject to any shock or vibration.
- Maintain sufficient space around the Projector to ensure adequate ventilation.
- To ensure a safety installation, first check the structure of the ceiling and select a secured mounting location.
- The ceiling should be strong enough to sustain a weight of at least four times of the combined weight of the projector and mounting bracket. The mounting location must be able to withstand vibrations such as of an earthquake.
- Do not modify any accessories or use broken parts. Contact your dealer with any questions.
- Tighten all screws (do not exert excessive force to avoid breaking the screw or damaging its thread).
- The maximum loading capacity of the Mounting Bracket is 12Kg. (26.5 lbs.).
- This Mounting Bracket is meant for supporting the projector only, do not hang anything else on it; especially, do not use it to support any person.
- Drill holes and screws will remain in the ceiling once the projector and Mounting bracket are removed. Stains may occur on the ceiling after extended use.
- Since the types of ceiling and the installation of the Mounting Bracket is out of the control of the supplier, the warrant of this product is limited to the physical body of the Mounting Bracket for a period of 5 years.
- Please consult the English language manual for any dispute on conditions.



Versatile Utilization with universal tilt/swivel :

- a. Ceiling Mount Bracket (top down)
- b. Extension Arm for monitor (90 degrees from Wall Side)
- c. Extension Height for Monitor Stand (bottom up)

Mounting Instruction Manual

78R80100101A

包裝零件 / Enclosed Parts / 梱包部品及びアクセサリ
 Parties cloisonnées / Mitgelieferte Teile / Peças incluídas
 Załączane Części / Enclosed части / Componentes suministrados / Parti incluse
 Medfølgende delar / 동봉한 부품

外觀尺寸圖(單位:公厘) / Physical Dimensions (mm) / 外觀および寸法(單位:ミリメートル)
 Dimensions externes (mm) / Außenabmessungen (mm) / Dimensiones exteriores (mm)
 Dimensões físicas (milímetros) / Parametry Fizyczne (Milimetrach) / Физические размеры (миллиметры)
 Dimensioni esterne (mm) / Utsidedimensioner (mm) / 외면 치수 (mm)

