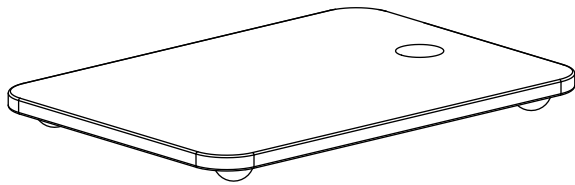


Glassbase Assembling Instruction

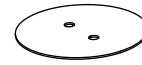
1 Glassbase contents



Glassbase



a. Stainless Washer (Oval hole)

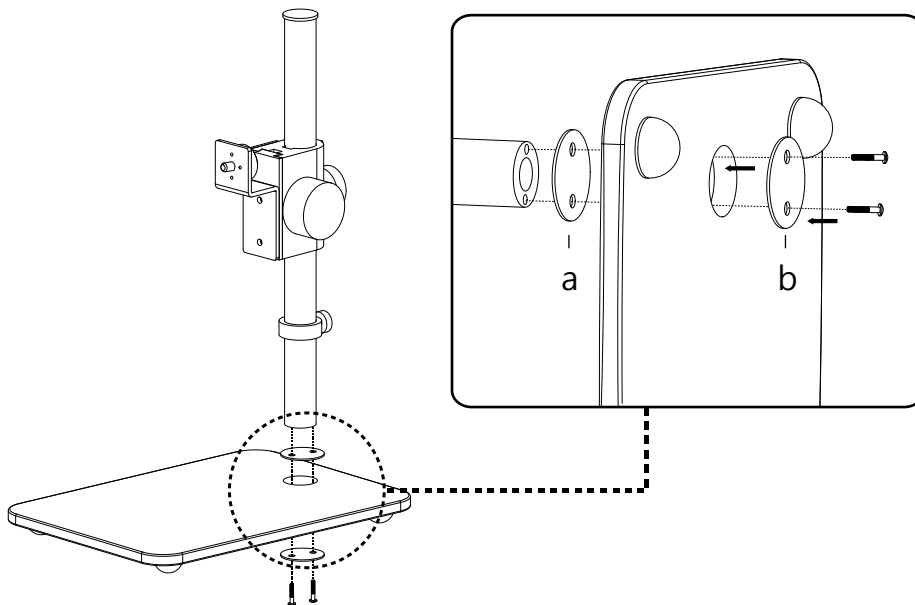


b. Stainless Washer (Round hole)

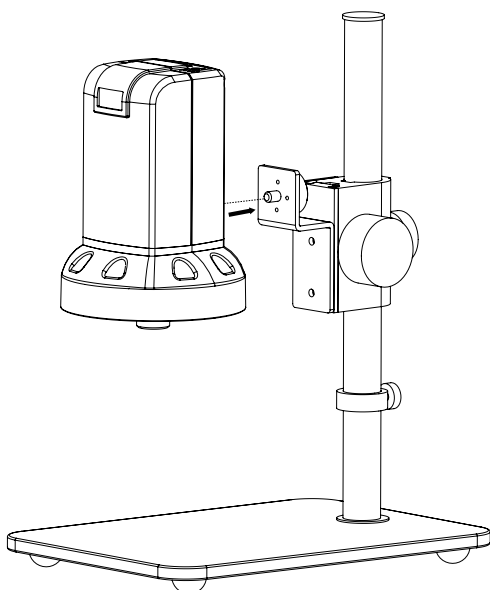


Screws * 2pcs

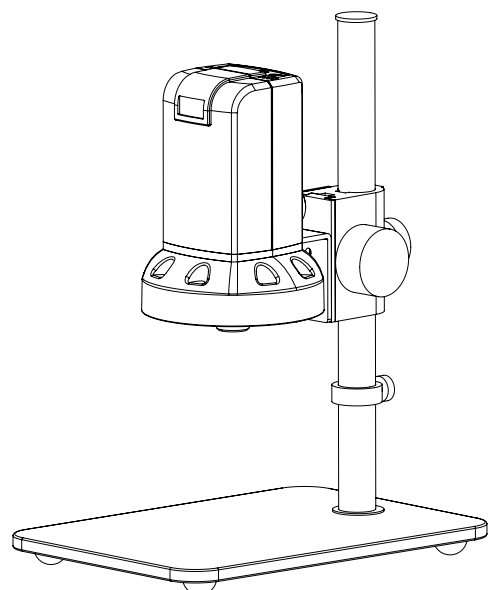
2 Assembling Steps



a. Screw the Washer (a) & (b) between stand pole and Glassbase



b. Screw the microscope to the gear box



c. Assembly accomplished